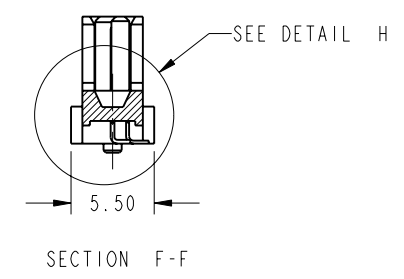
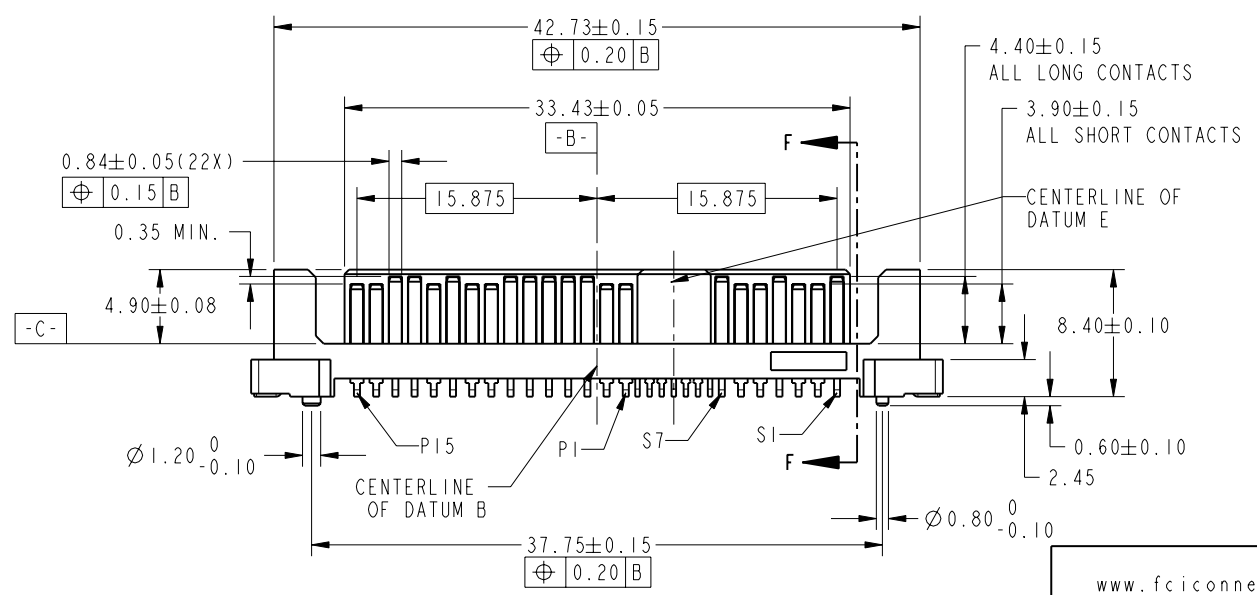
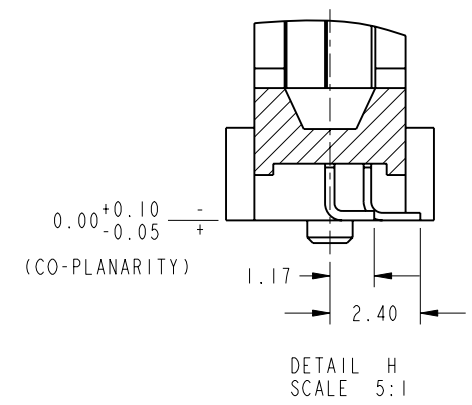
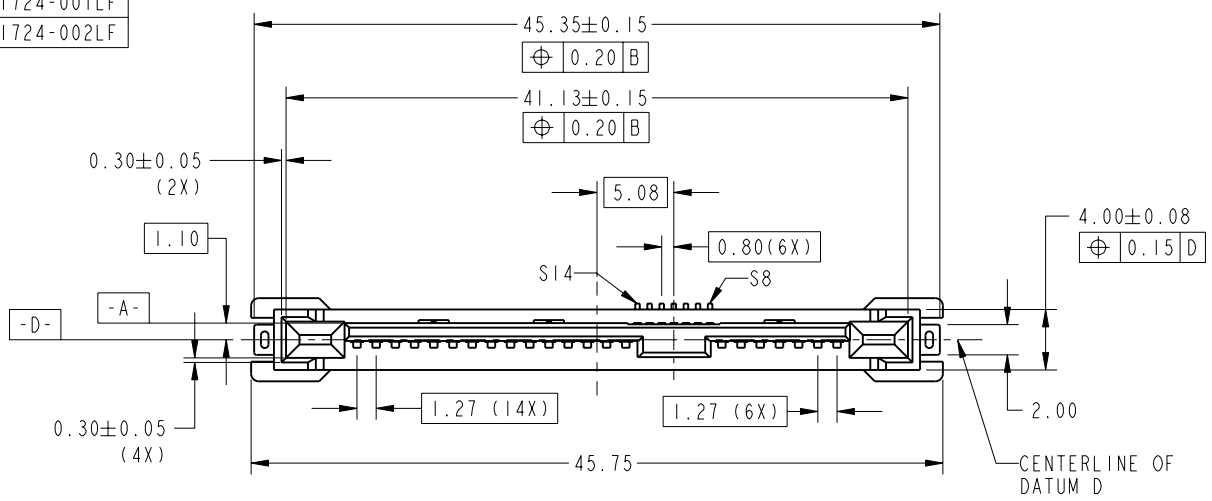


PRODUCT NO.  
10041724-001LF  
10041724-002LF



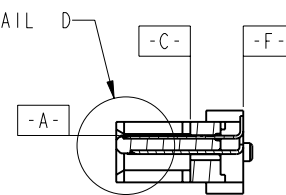
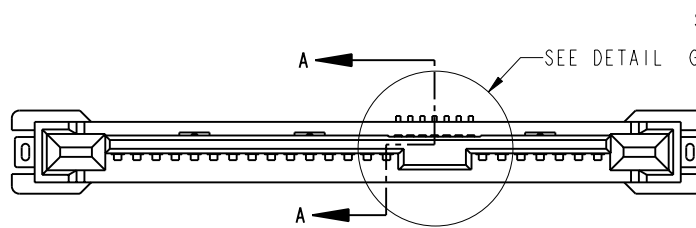
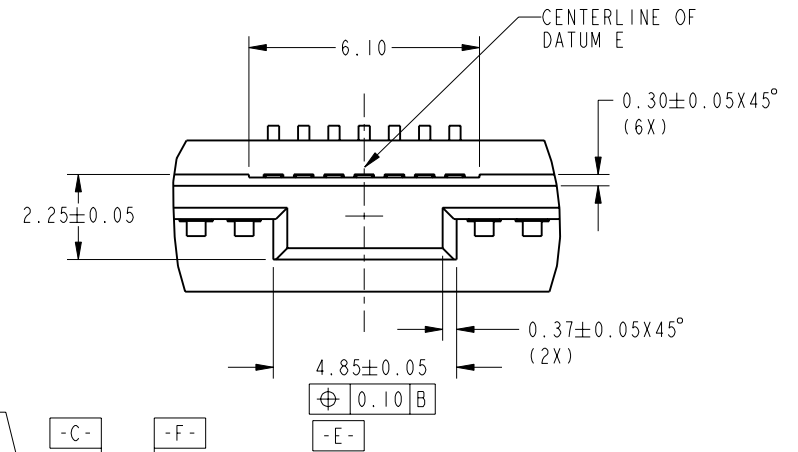
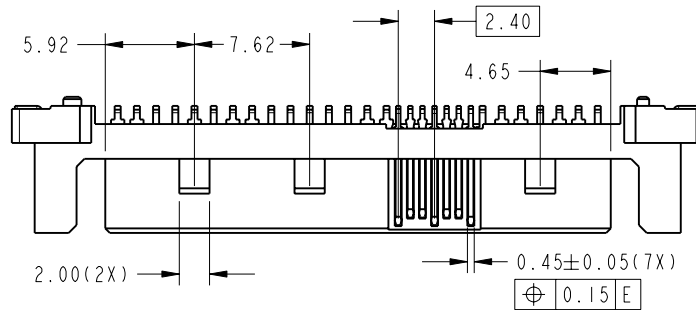
Copyright FCI.

rev	ecn no	dr	date
H	S07-0382	HKL	2007-11-02
B	S05-0368	HKL	2005-12-29
C	S06-0077	HKL	2006-03-13
D	S06-0182	HKL	2006-05-26
E	S06-0276	HKL	2006-08-18
F	S07-0107	HKL	2007-04-11
G	S07-0301	HKL	2007-09-05

www.fciconnect.com			surface ASME Y14.5	<input checked="" type="checkbox"/>	tolerance std ASME Y14.5	projection MM	MM	
			TOLERANCES UNLESS OTHERWISE SPECIFIED					
Dr	SH TAN	2004-08-20	ANGULAR	0.X	±0.25	size	A4	
Eng	HK LIM	2007-11-02	LINEAR	0.XX	±0.13	Scale	2:1	
Chr	HK LIM	2007-11-02	0°	±2°	0.XXX	±0.050	ECN	S07-0382
Appr	JOEY NG	2007-11-02	Product family		Spec ref			
FCI			SAS PLUG VERTICAL SMT ASSY		dwg no	10041724		
catalog no			CUSTOMER		Rev.	H		
					sheet 1 of 3			

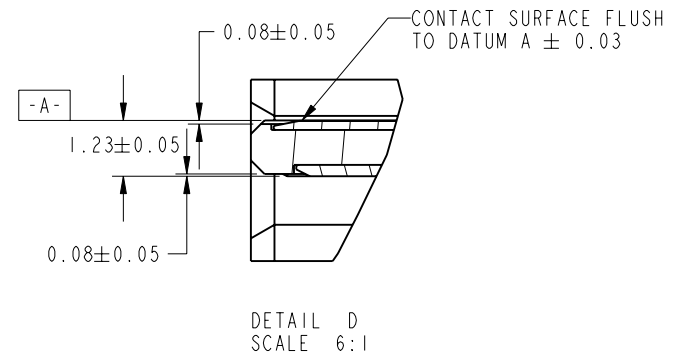
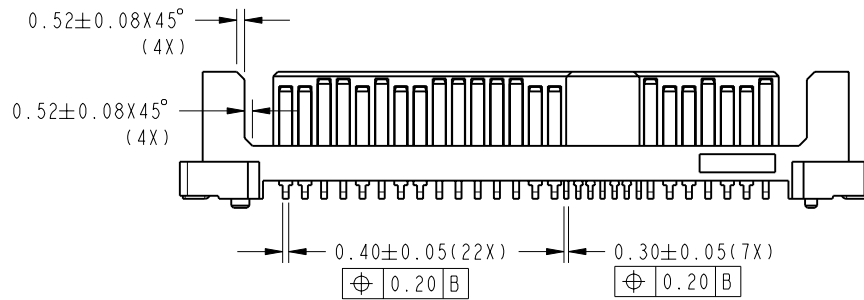
REV C - 2006-03-28

PRODUCT NO.  
SEE TABLE



DETAIL G  
SCALE 5:1

SECTION A-A



Copyright FCI.



title  
SAS PLUG  
VERTICAL SMT ASSY  
catalog no

dwg no  
10041724

Rev.  
H

CUSTOMER sheet 2 of 3

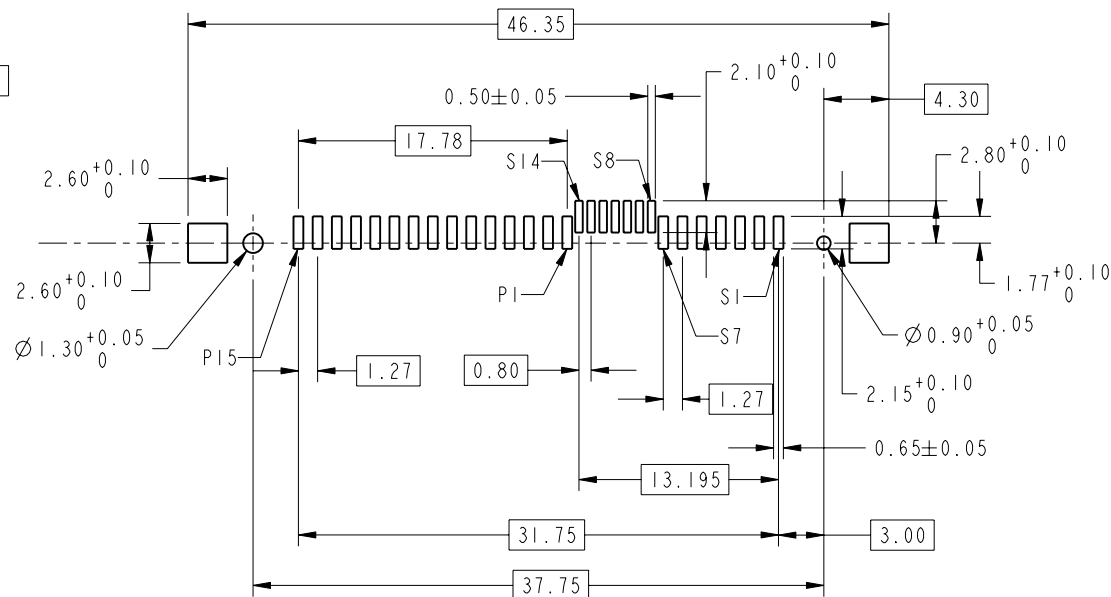
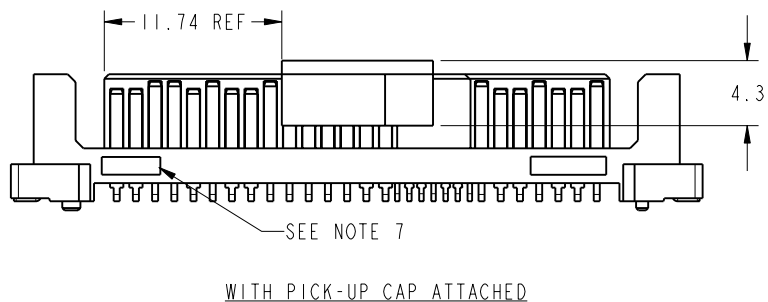
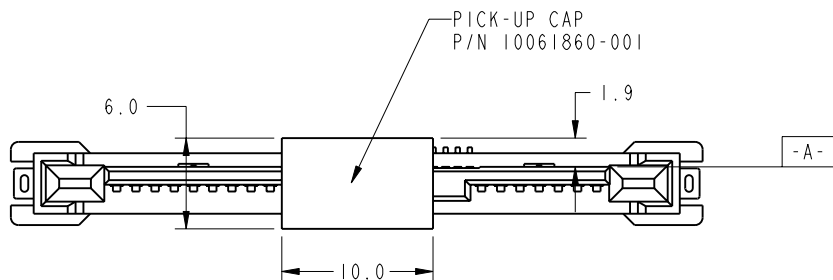
REV E - 2006-03-28

PDM: Rev:H

STATUS: Released

Printed: Nov 08, 2007

PRODUCT NO.	WITH PICK-UP CAP	PACKAGING	PLATING SPEC.
10041724-001LF/-002LF	NO	TRAY	-001LF REFER TO NOTE 2A
10041724-001CLF/-002CLF	YES		-002LF REFER TO NOTE 2B
10041724-001C-TRLF/-002C-TRLF		TAPE & REEL	



RECOMMENDED SOLDER PAD LAYOUT

NOTES:

- MATERIAL:  
HOUSING & PICK-UP CAP: HIGH TEMPERATURE PLASTIC, BLACK, UL94V-0  
CONTACT & HOLD DOWN: COPPER ALLOY
- FINISH:  
CONTACT: 1.27um MIN. NICKEL UNDERPLATE OVERALL,  
2.00um MIN. 100% MATTE TIN(LEAD FREE) ON SOLDER TAIL,  
A) 0.76um MIN. GOLD ON CONTACT AREA  
B) 0.76um MIN. GXT™ ON CONTACT AREA  
HOLD DOWN: 2.54um MIN. 100% MATTE TIN(LEAD FREE) OVER 1.27um MIN. NICKEL UNDERPLATE
- THIS PRODUCT MEETS EUROPEAN UNION DIRECTIVES AND OTHER COUNTRY REGULATIONS AS DESCRIBED IN GS-22-008
- THE HOUSING WILL WITHSTAND EXPOSURE TO 260°C PEAK TEMPERATURE FOR 10 SECONDS IN A CONVECTION, INFRA-RED OR VAPOR PHASE REFLOW OVEN
- PART WITH PICK-UP CAP, P/N XXXXXXXX-XXXCLF
- FOR TAPE & REEL PACKAGING, P/N XXXXXXXX-XXXC-TRLF
- THE PART SHALL HAVE "FCI" ID AND CAVITY NUMBER SHOWN IN THE APPROXIMATE LOCATION
- A SYMBOL WILL BE NEXT TO ANY DIMENSION, VIEW OR NOTE WHICH HAS BEEN MODIFIED WITH THE CURRENT DRAWING REVISION

	TITLE	SAS PLUG VERTICAL SMT ASSY	dwg no	10041724	Rev.	H
	CATALOG NO		CUSTOMER		SHEET	3 OF 3